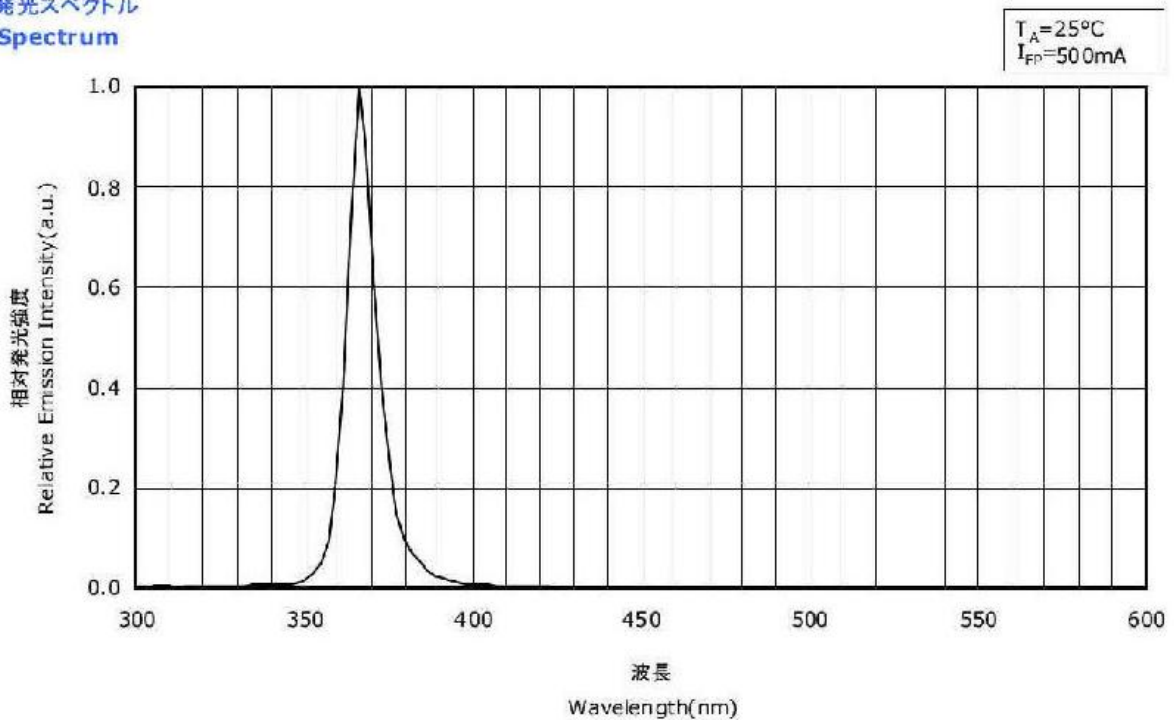


## LITJET UVLED – UNI-FLOOD Programmable Area Curing UVLED



発光スペクトル  
Spectrum



Nearly monochromatic UV light: Peak wavelength at 365nm, 385nm, 395nm, 405nm.

- No harmful 254nm UV light
- No harmful thermal effect, no infrared ray that damages your products
- Life span near to 20,000 hours



**Technical Specifications (For 100mm \* 100mm model):**

Model	UNFA-100100	UNFA2-100100	UNFV-100100
Wavelength	365nm	395nm	405nm
UV intensity	200mW/cm2 (max)	400mW/cm2 (max)	400mW/cm2 (max)
Optimized work distance	10mm		
Curing area	100mm * 100mm		
Power consumption	200W		
Cooling method	Fan cooling		
Connecting cable length	2 M		
Adjustable UV intensity	0 to 100% (relative)		
Irradiation time setting	0 to 999sec (automatic mode)		
	Continuous running (manual mode)		
Programmable control	RS232 port available		
Footswitch control	√		
Instant on/off	√		
Use-life timer	√		
Overheat protection	√		

**Other Standard Models:**

Wavelength	Curing area	Typical leadtime	High power (water cool)	Model
365nm	10mm * 100mm	3 weeks	-	UVFA-010010
365nm	25mm * 25mm	3 weeks	-	UVFA-025025
365nm	30mm * 120mm	3 weeks	-	UVFA-030120
365nm	Customize	5 weeks	-	UVFA-xxxxxx
385nm	30mm * 520mm	3 weeks	-	UVFP-030520
385nm	60mm * 120mm	3 weeks	-	UVFP-060120
395nm	10mm * 100mm	3 weeks	-	UVFA2-010100
395nm	25mm * 25mm	3 weeks	-	UVFA2-025025
395nm	30mm * 90mm	5 weeks	-	UVFA2-030090
395nm	30mm * 120mm	3 weeks	-	UVFA2-030120
395nm	Customize	5 weeks	-	UVFA2-xxxxxx

**Applications:**

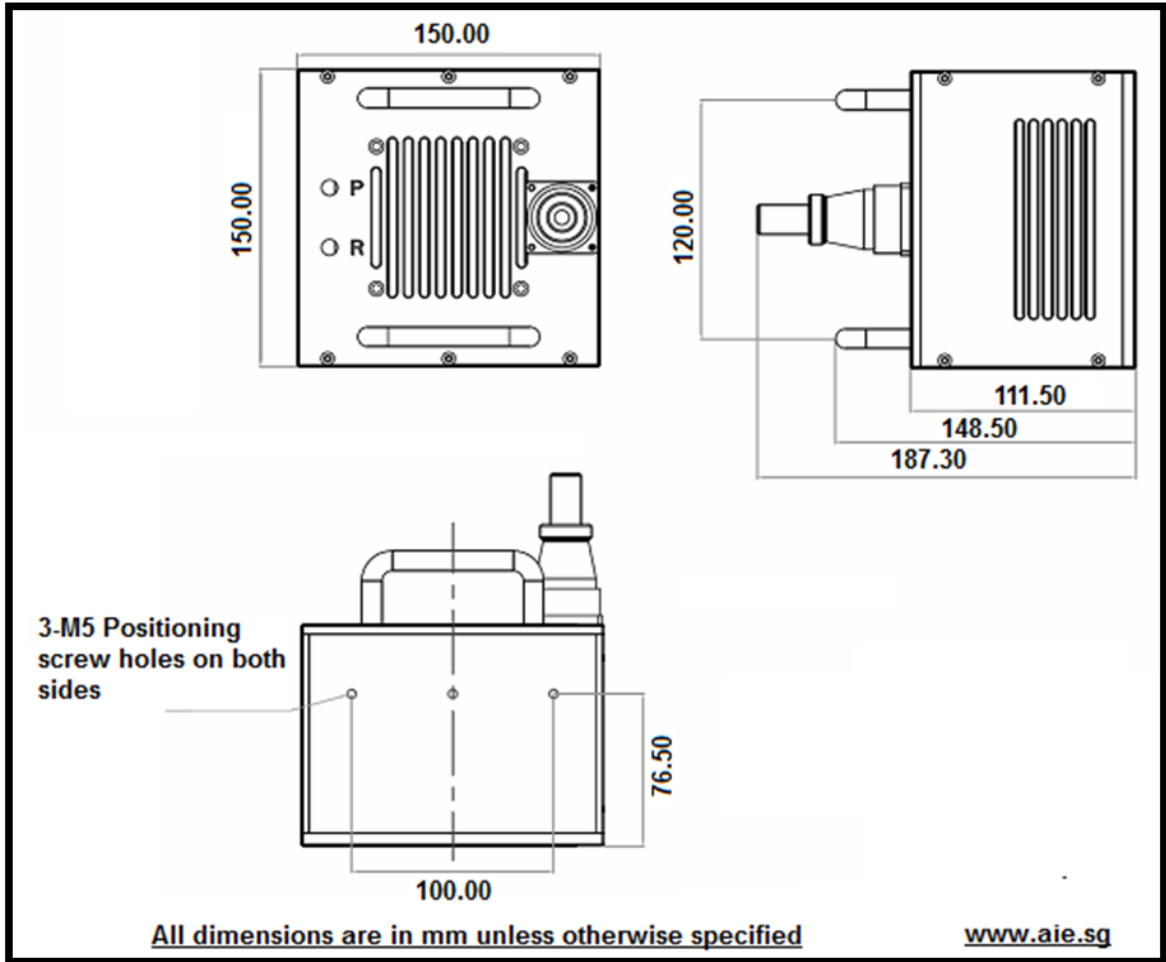
- UV glue curing
- Optical components adhesive
- Lens module bonding
- Medical device curing
- Optical communication components drying
- Ferrule parts assembly part fixation after alignment
- Coil wire processing, fixation and end processing
- Injection needle fixation

**Controller Interface:**

- Simple, easy, not programming knowledge required
- Relative LED's power setting: 1 – 100% (Resolution of 1%)
- Timer: Manual (Always on / always off)
- Timer: Auto 0 – 999 sec (Resolution of 1 sec)
- Run cycle counter
- LED runtime monitor

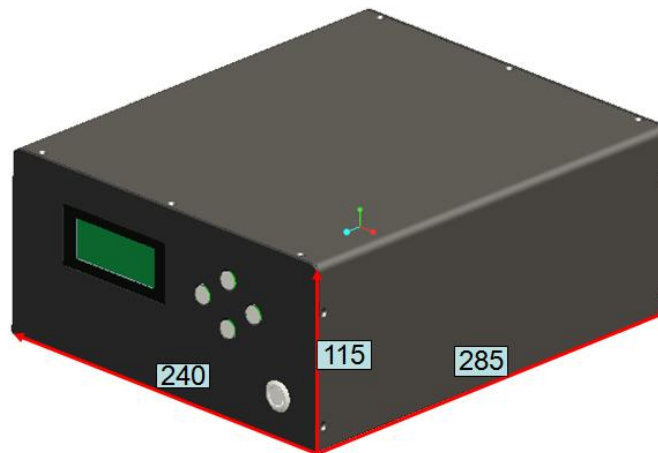
**Dimension of light module (Model: UVFA-, UVFA2-, UVFV- 100mm \* 100mm):**

- Write to us for other models



**Dimension of controller (Model: UVFA-, UVFA2-, UVFV-):**

- Write to us for other models



Other related products: **LITJET UVLED – SOLID JET Point Curing UVLED**